

SENATOR

PLAY TABLES

Play tables have designed so you and your team can have an agile and flexible desking solution that can cope with the demands of the modern office.

Each table in the Play range opens up a wide range of new working possibilities full of adaptability and flexibility for collaborative thinking or individual work.



Standard Features

- Rigid Steel Frame
- KD Assembly
- 25mm MFC Tops
- Fully Lockable Castors (Mobile Tables)
- Levelling Glides (Static Tables)

Specifiable Features

- Educational Tables
- Slim Tables
- Work Tables
- Collaboration Tables
- Round Work tables
- High Slim tables
- High Slim Static Tables
- High Work Tables
- High Work Static Tables

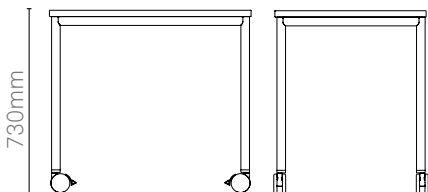
Play Tables – Product Detail

Rectangular Education Table



800mm wide by 600mm deep Rectangular Educational Table

Dimensions
730mm High



SENATOR

Play Tables – Product Detail

Rectangular Slim Table



Table Options

- 1200mm wide Mobile Rectangular Slim Table
- 1650mm wide Mobile Rectangular Slim Table
- 1800mm wide Mobile Rectangular Slim Table

Dimensions

600mm Depth



Rectangular Work Table



Table Options

- 1200mm wide Mobile Rectangular Work Table
- 1650mm wide Mobile Rectangular Work Table
- 1800mm wide Mobile Rectangular Work Table

Dimensions

825mm Depth



SENATOR

Play Tables – Product Detail

Rectangular Collaboration Table



Table Options

- 1200mm wide Mobile Rectangular Collaboration Table
- 1650mm wide Mobile Rectangular Collaboration Table
- 1800mm wide Mobile Rectangular Collaboration Table

Dimensions 1200mm Depth



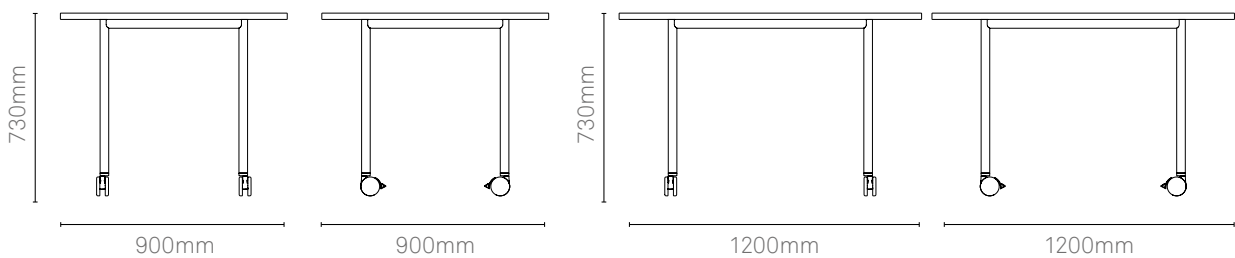
Round Work Table



Table Options

- 900mm diameter Round Work Table
- 1200mm diameter Round Work Table

Dimensions 730mm High



SENATOR

Play Tables – Product Detail

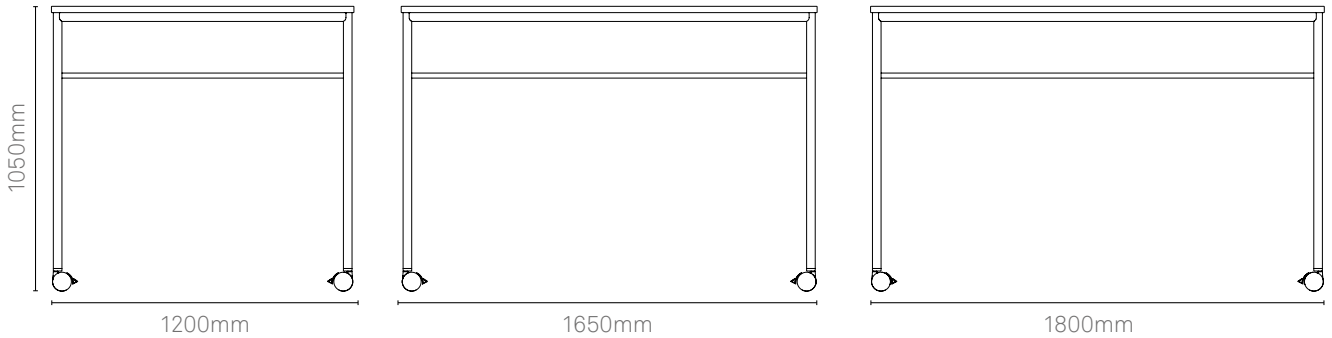
High Slim Table



Table Options

- 1200mm wide Mobile High Slim Table
- 1650mm wide Mobile High Slim Table
- 1800mm wide Mobile High Slim Table

Dimensions
600mm Depth



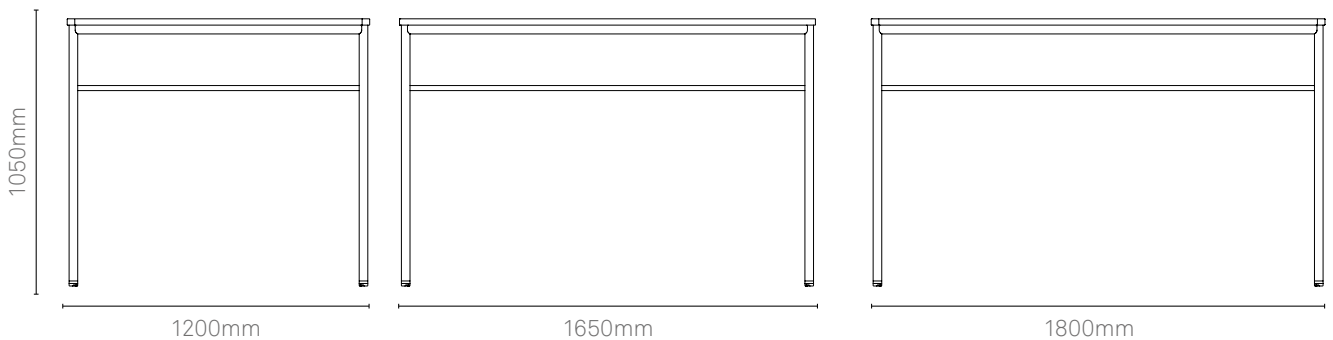
Static High Slim Table



Table Options

- 1200mm wide Static Slim table
- 1650mm wide Static Slim table
- 1800mm wide Static Slim table

Dimensions
600mm Depth



SENATOR

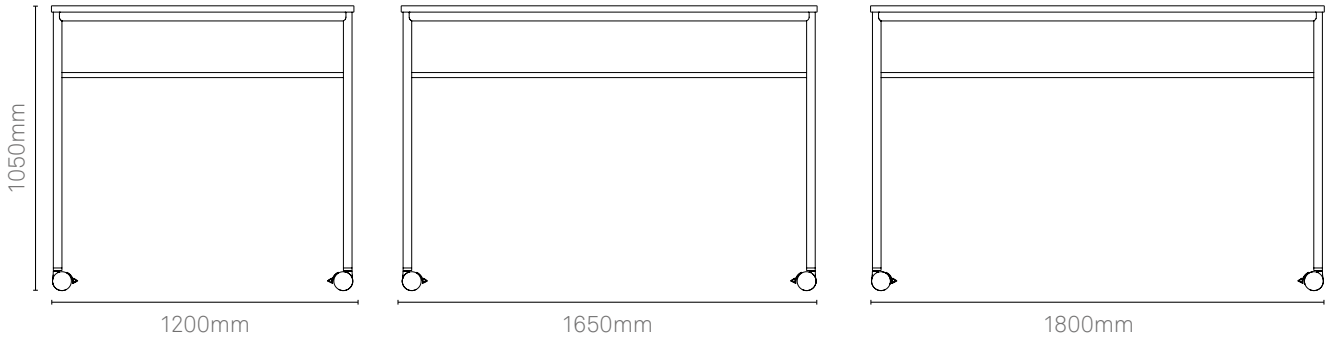
High Work Table



Table Options

- 1200mm wide Mobile High Work Table
- 1650mm wide Mobile High Work Table
- 1800mm wide Mobile High Work Table

Dimensions
825mm Depth



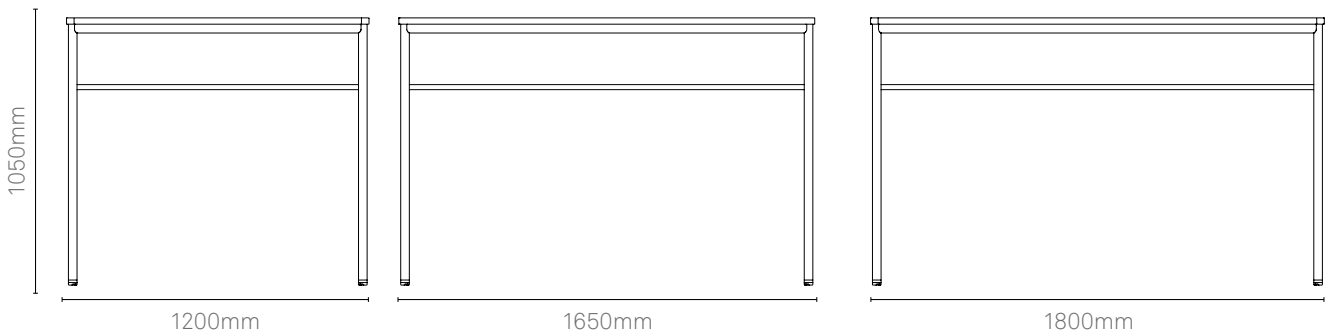
Static High Work Table



Table Options

- 1200mm wide Static Work table
- 1650mm wide Static Work table
- 1800mm wide Static Work table

Dimensions
825mm Depth



SENATOR

Standard Top Finishes - MFC Band 1



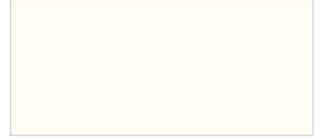
Beech



Strata Oak



Urban Maple



White



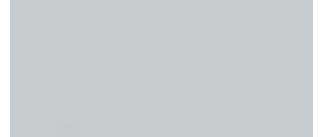
Greige Castello Oak



Dark Rockford Hickory



Winter Oak

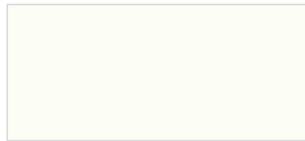


Light Grey

Standard Top Finishes - MFC Band 2



Basalt



Premium White



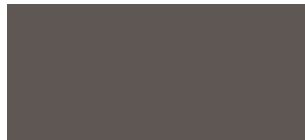
Premium Black



Taupe Grey



Slate Grey



Cobalt Grey



Alby Blue



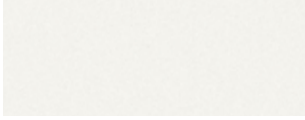
Smoke Green



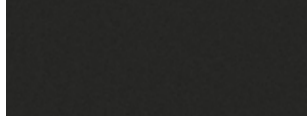
Deep Sahara

* Unless specified, will always be used as standard.

Frame Finishes



White



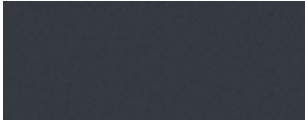
Black



Pistachio



Totally Orange



Anthracite



Traffic Yellow

Environmental

All Environmental Data can be found on product LCA reports.
LCA reports can be downloaded from the Group Portal and Website.

SENATOR 3 R'S

Senator is committed to continually improving the sustainability of all environmental aspects within our business.

To meet both international standards and our own environmental targets we apply the three R's principle

-Reduce, Reuse and Recycle.

Whilst recycling is the element which receives the most exposure it is actually the last option available and should never be the prime target in anyone's battle to reduce waste.

It is our duty as individuals and as a company to initially attempt to **Reduce** usage. Then we should look to **Reuse** wherever possible and finally, only after these two processes have been exhausted, should we consider **Recycling**.

Reduce
Reuse
Recycle